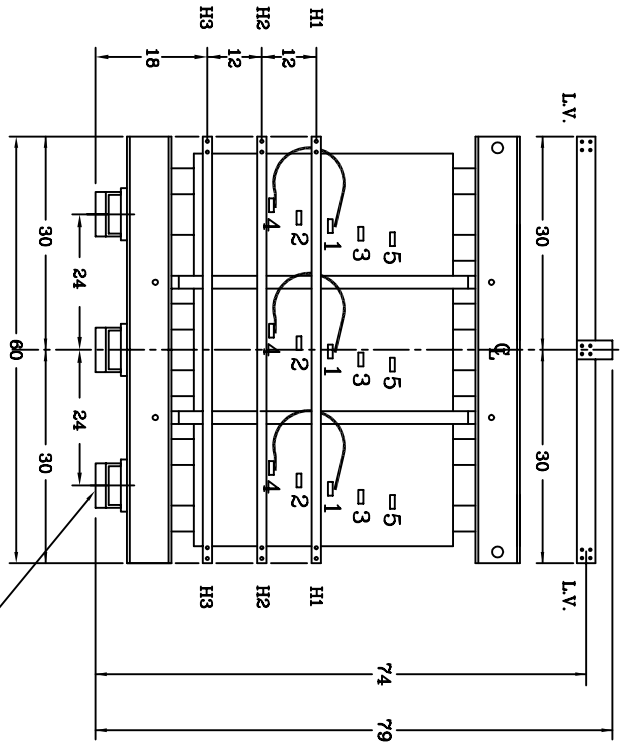
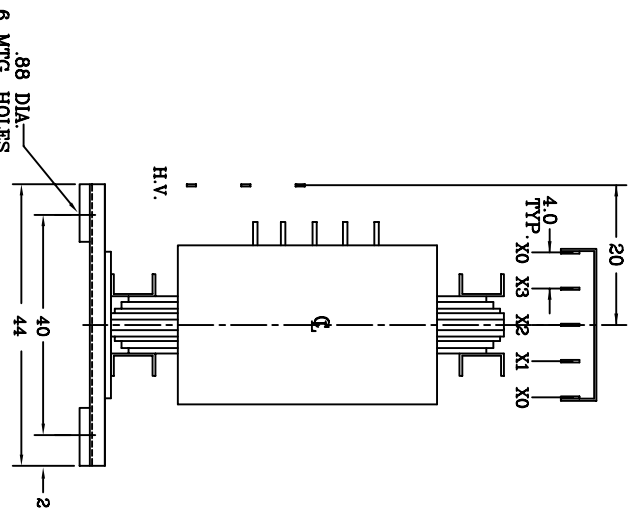


* - DESIGN IMPEDANCE = 5.5%

SUNBELT TRANSFORMER				DRY TYPE TRANSFORMER CLASS AA	
KVA	1500	3 PHASE	HERTZ	60	SIZE *
H.V.	4160 Δ	30 KV BIL	AMPS	208	WGT 6400
L.V.	480Y/277	10 KV BIL	AMPS	1804	NO. 1603003
			NC RESI. 150°C		
			LBS		
POLARITY					
H2			H1		
H3			H2		
X1			X2		
X0			X3		
HIGH VOLTAGE					
LOW VOLTAGE					
DR - ENERGIZE TRANSFORMER BEFORE CHANGING TAPS NP-310					



FRONT

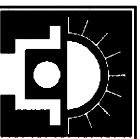


RIGHT

SPECIFICATIONS

- 1) ALUMINUM WOUND
- 2) 220°C INSULATION
- 3) VACUUM PRESSURE IMPREGNATION
- 4) REMOVABLE MOUNTING FEET

1) REVISED H.V. & L.V. BUS EXTENSION DIMENSIONS. 2/02/05 BRP



SUNBELT TEMPLE, TX SHARON, PA BAKERSFIELD, CA
Transformer
1-800-433-3126
DRY TYPE TRANSFORMER SPECIFICATIONS AND DIMENSIONAL DATA
DATE: 1/12/05
DRAWING NO. A61503
DRAWN BY: BRP

38859-A