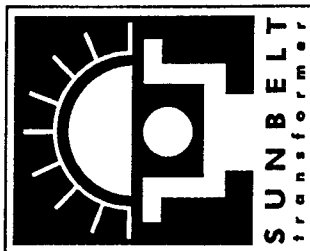


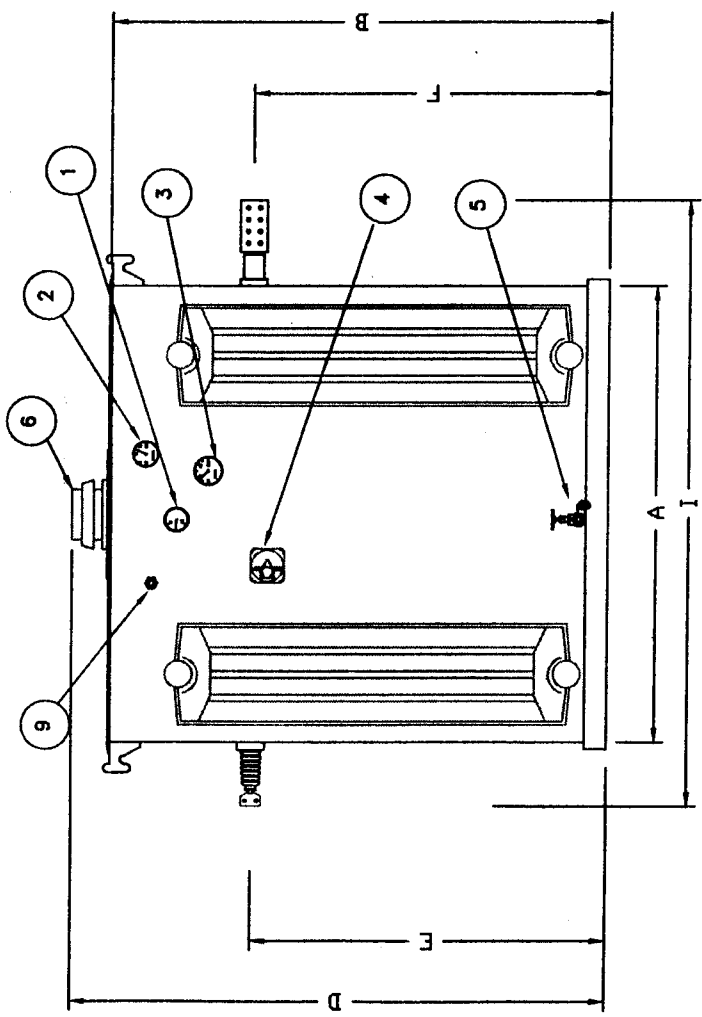
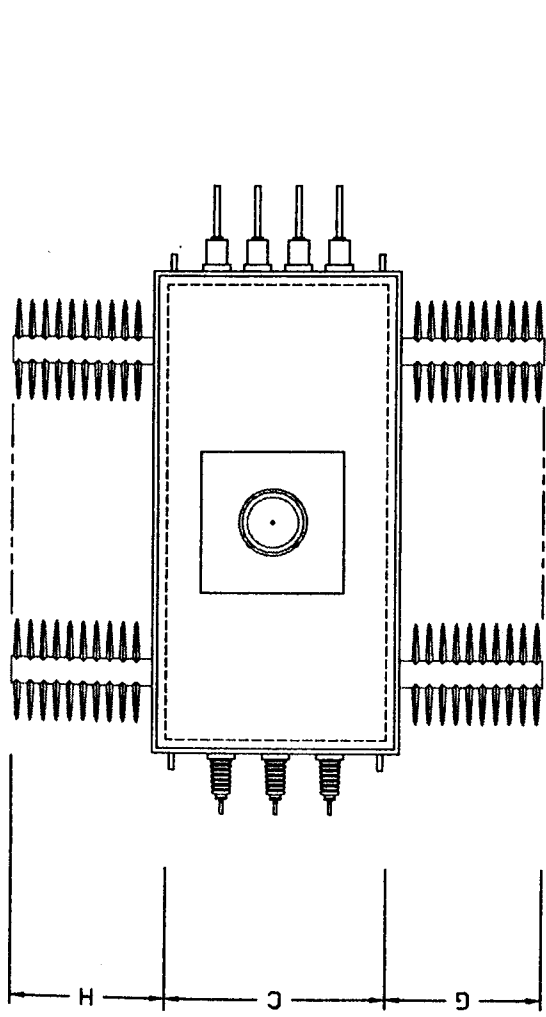
5/15 KV CLASS DISTRIBUTION UNIT SUBSTATION TRANSFORMER

TYPICAL DIMENSIONS
NOT FOR CONSTRUCTION

AIR TERMINAL CHAMBERS, THROAT, OR FLANGE
AVAILABLE FOR SIDE MOUNTED BUSHINGS



| ITEM | DESCRIPTION |
|------|------------------------|
| 1 | LIQUID LEVEL GAUGE |
| 2 | PRESSURE VACUUM GAUGE |
| 3 | LIQUID TEMP GAUGE |
| 4 | TAP CHANGER |
| 5 | DRAIN AND SAMPLE VALVE |
| 6 | PRESSURE RELIEF DEVICE |
| 7 | LV BUSHING |
| 8 | HV BUSHING |
| 9 | 1" NPT UPPER FILL |



| KVA | A | B | C | D | E | F | G | H | I |
|------|-------|-------|-------|-------|-------|-------|-------|-------|-------|
| 750 | 53.38 | 57.50 | 27.88 | --- | 39.00 | 39.00 | --- | 24.50 | 69.00 |
| 1000 | 56.38 | 68.50 | 30.38 | --- | 45.50 | 45.50 | --- | 30.25 | 73.75 |
| 1500 | 56.38 | 68.50 | 32.38 | --- | 45.50 | 45.50 | --- | 36.25 | 73.75 |
| 2000 | 65.38 | 68.50 | 33.38 | --- | 46.50 | 46.50 | 34.25 | 34.25 | 84.50 |
| 2500 | 67.50 | 77.50 | 32.50 | --- | 53.50 | 53.50 | 36.25 | 36.25 | 89.50 |
| 3000 | 71.50 | 77.50 | 33.50 | 83.00 | 53.50 | 53.50 | 34.25 | 34.25 | 93.75 |
| 3750 | 68.50 | 77.50 | 35.50 | 83.00 | 57.00 | 57.00 | 36.25 | 36.25 | 90.75 |
| 5000 | 73.50 | 83.50 | 38.50 | 89.00 | 62.50 | 62.50 | 34.25 | 34.25 | 99.00 |