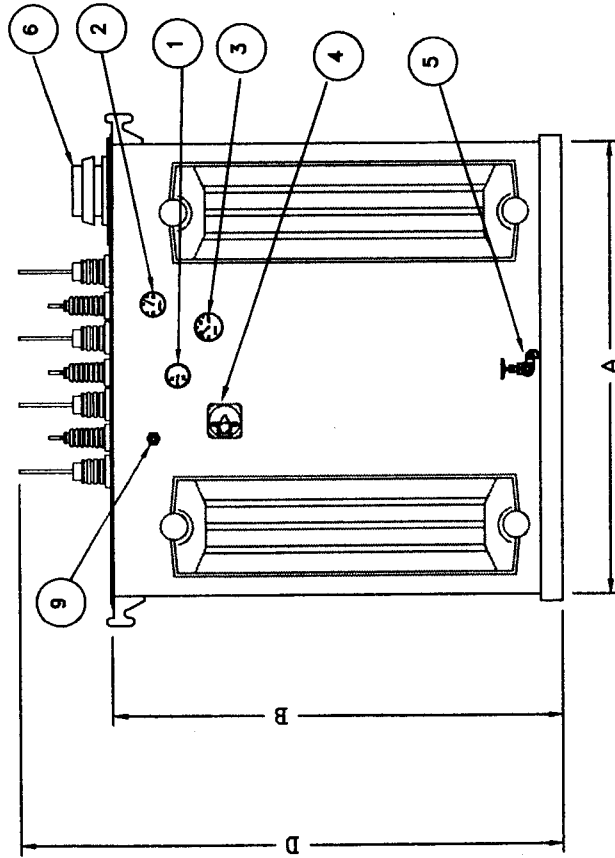
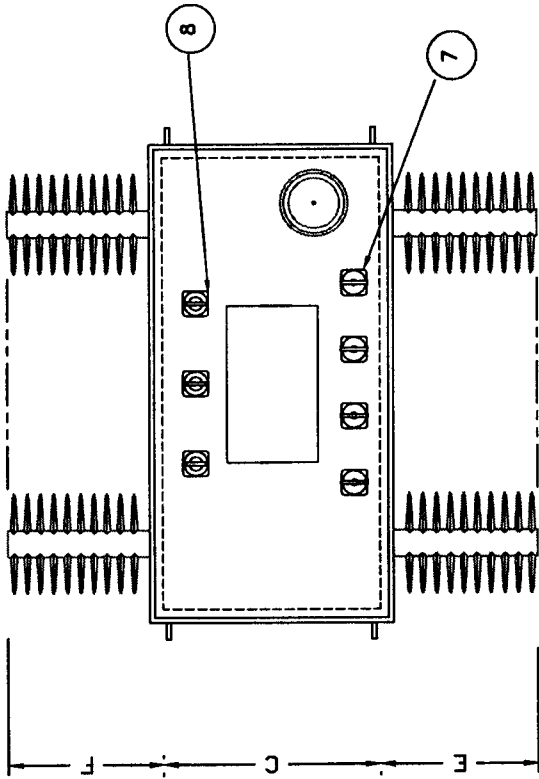
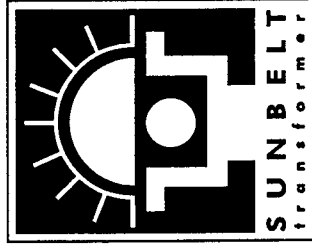


25/35 KV CLASS DISTRIBUTION UNIT SUBSTATION TRANSFORMER

TYPICAL DIMENSIONS
NOT FOR CONSTRUCTION



KVA	A	B	C	D	E	F
750	57.38	68.50	34.38	85.50	---	24.25
1000	57.38	68.50	34.88	85.50	---	28.25
1500	67.38	68.50	37.38	85.50	---	30.25
2000	66.50	77.50	38.50	94.50	---	34.25
2500	73.00	77.50	39.50	94.50	---	34.25
3000	73.00	77.50	39.50	94.50	32.25	32.25
3750	71.50	77.50	40.50	96.00	34.25	34.25
5000	73.50	83.50	41.50	102.00	34.25	32.25

FEATURES	
ITEM	DESCRIPTION
1	LIQUID LEVEL GAUGE
2	PRESSURE VACUUM GAUGE
3	LIQUID TEMP GAUGE
4	TAP CHANGER
5	DRAIN AND SAMPLE VALVE
6	PRESSURE RELIEF DEVICE
7	LV BUSHING
8	HV BUSHING
9	1" NPT UPPER FILL