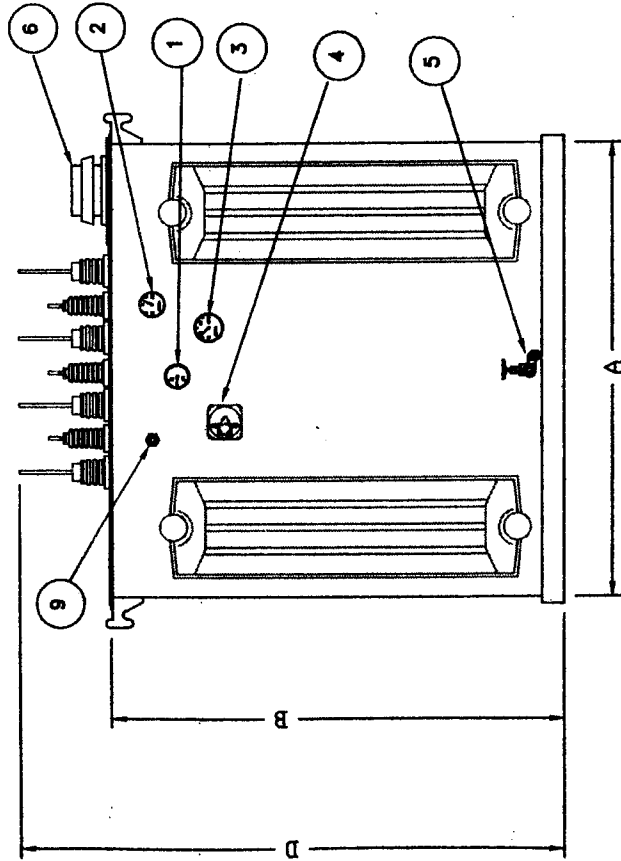
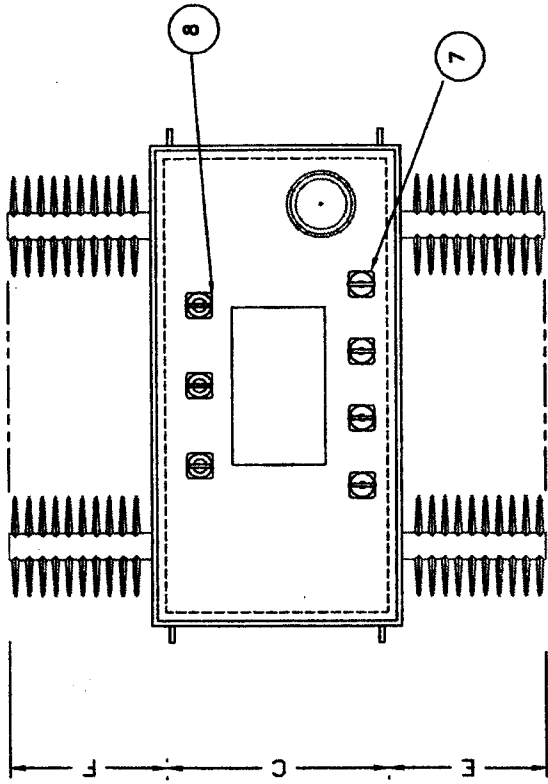
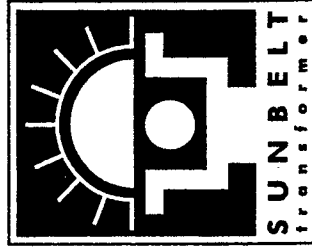


# 5/15 KV CLASS DISTRIBUTION UNIT SUBSTATION TRANSFORMER

TYPICAL DIMENSIONS  
NOT FOR CONSTRUCTION



KVA	A	B	C	D	E	F
750	53.38	57.50	27.88	66.75	---	24.50
1000	56.38	68.50	30.38	77.75	---	30.25
1500	56.38	68.50	32.38	77.75	---	36.25
2000	65.38	68.50	33.38	78.75	34.25	34.25
2500	67.50	77.50	32.50	90.50	36.25	36.25
3000	71.50	77.50	33.50	90.50	34.25	34.25
3750	68.50	77.50	35.50	90.50	36.25	36.25
5000	73.50	83.50	38.50	97.75	34.25	34.25

FEATURES	
ITEM	DESCRIPTION
1	LIQUID LEVEL GAUGE
2	PRESSURE VACUUM GAUGE
3	LIQUID TEMP GAUGE
4	TAP CHANGER
5	DRAIN AND SAMPLE VALVE
6	PRESSURE RELIEF DEVICE
7	LV BUSHING
8	HV BUSHING
9	1" NPT UPPER FILL