

NO. 61830014.088

THREE PHASE TRANSFORMER



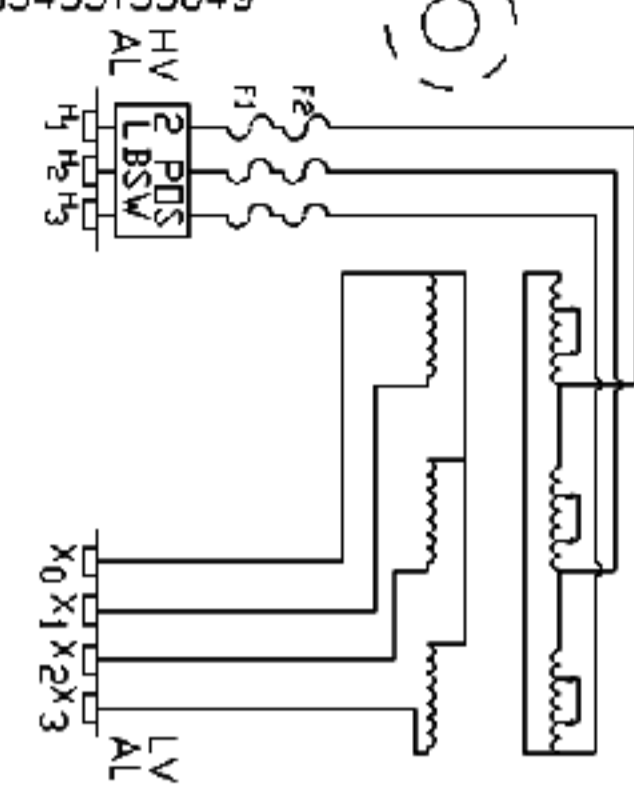
SUNBELT TRANSFORMER

TEMPLE, TEXAS

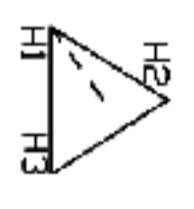
KVA 500
 HV 4160
 LB WT TANK 1896 c&c 1643 OIL 1928 LBS TOTAL 5467 LBS
 BIL HV 60 LV 30 KV %IMP
 LV 208Y/120

CONT 65 °C RISE CLASS 0A 60HZ
 TANK DESIGNED FOR +7 PSIG
 F1 ISOLATION LINK
 F2 BAYONET FUSE
 NON PCB

9385435155049



VOLTAGE PDS
 105.0% 1/A
 102.5% 2/B
 100.0% 3/C
 97.5% 4/D
 95.0% 5/E



CNP02 = NP68 HV BUSHINGS
 CNP03 = NP26 HV CONNECTION
 CNP04 = NP96 HV WDG
 CNP05 = NP47 FUSES
 CNPKV = DY POS. KV.

CNP09 = NP111 TAP OR SM BOX
 CNP08 = NP24 LV PHASOR
 CNP10 = NP7 HV PHASOR
 CNP14 = NEUT PHASOR (VECTOR)
 CNP13 = NEUT WDG (COIL)
 CNP06 = LV CONNECTION
 CNP07 = NP88 LV WDG
 CNP11 = NP70 LV BUSHINGS
 CPR11 = 2
 CPR1E = 0
 CPR1F = 0
 CPR1ZA = 0
 CPHASH = DEL CPHASL = WYE

BLACK ANNOIDIZED ALUMINUM

REV	DATE	REVISION	BY	APP

SUNBELT TRANSFORMER
 TEMPLE, TEXAS

NAME: LASER NAME PLATE CC 857
 DESCR: RF/TP/2FUSE/2PLB/ D-Y
 ID 3RLHCP36 P.N. 0061830014.088
 SCALE 1.000 DWG BY RH CHK BY DATE 08/20/95