

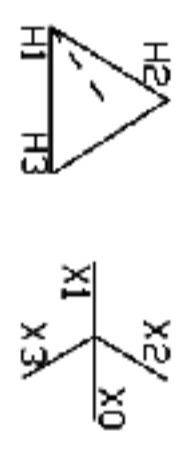
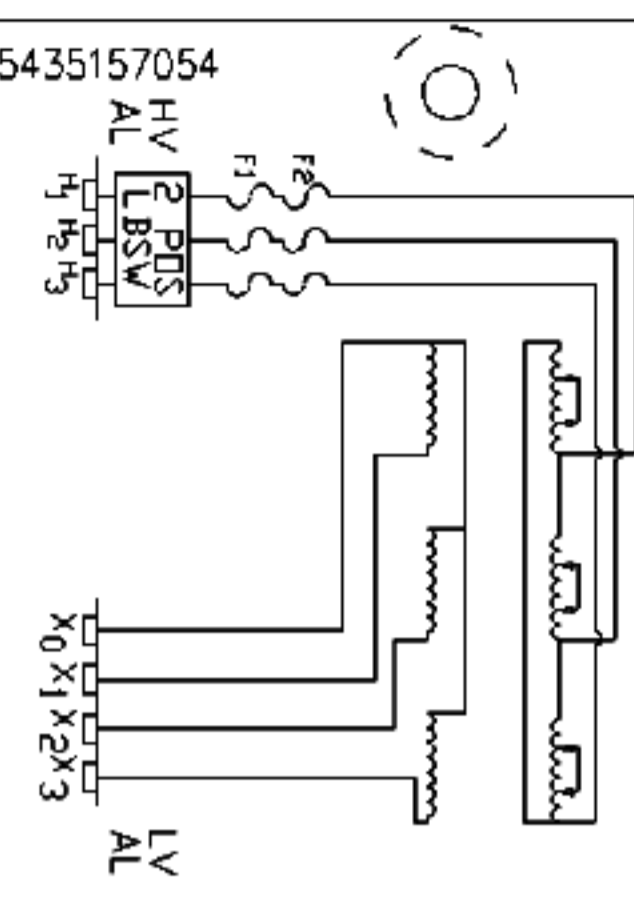
NO. 61830014.386

THREE PHASE TRANSFORMER



SUNBELT TRANSFORMER
TEMPLE, TEXAS

KVA 225
HV 14400
LV 480Y/277
WT LB 1071 c&c 875
OIL 1276 LBS TOTAL 3222 LBS
%IMP 30
BIL HV 95 LV 30
CONT 65 °C RISE CLASS 0A 60HZ
TANK DESIGNED FOR +7 PSIG
F1 ISOLATION LINK
F2 BAYONET FUSE
NON PCB
VOLTAGE POS
14400 1/A
13800 2/B
13200 3/C
12870 4/D
12470 5/E
12000 6/F
11700 7/G



9175435157054

⌀

CNP02 = NP68 HV BUSHINGS
CNP03 = NP26 HV CONNECTION
CNP04 = NP96 HV WDG
CNP05 = NP47 FUSES
CNPKV = DY POS. KV.

CNP09 = NP118 TAP OR SM BDX
CNP08 = NP24 LV PHASOR
CNP10 = NP7 HV PHASOR
CNP14 = NEUT PHASOR (VECTOR)
CNP13 = NEUT WDG (COIL)
CNP06 = LV CONNECTION
CNP07 = NP88 LV WDG
CNP11 = NP70 LV BUSHINGS
CPR11 = 2
CPR1E = 0
CPR1F = 0
CPR1A = 0
CPHASH = DEL CPHASL = WYE

BLACK ANNOIDIZED ALUMINUM

REV	DATE	REVISION	BY	APP

SUNBELT TRANSFORMER
 TEMPLE, TEXAS

NAME: LASER NAME PLATE CC 857
 DESCR: RF/TP/2FUSE/2PLB/ D-Y
 ID 3RLHC136 P.N. 0061830014.386
 SCALE 1.000 DWG BY RH CHK BY DATE 09/22/95