

NO. 61830015.327

THREE PHASE TRANSFORMER



SUNBELT TRANSFORMER

TEMPLE, TEXAS

BIL HV 60 LV 30KV %IMP

KVA 225  
 HV 4160  
 WT LB 1014

C&C 967 OIL

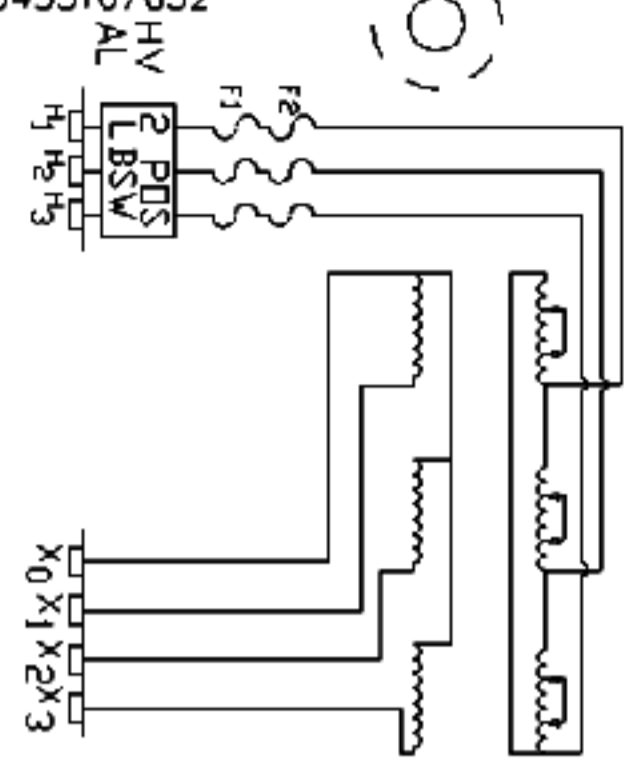
1231 LBS TOTAL 3212 LBS  
 164 GAL

LV 480Y/277

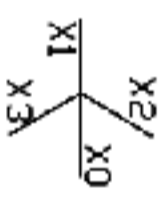
CONT 65 °C RISE CLASS 0A 60HZ  
 TANK DESIGNED FOR +7 PSIG  
 F1 ISOLATION LINK  
 F2 BAYONET FUSE

NON PCB

9375435167052



VOLTAGE PDS  
 105.0% 1/A  
 102.5% 2/B  
 100.0% 3/C  
 97.5% 4/D  
 95.0% 5/E



CNP02 = NP68 HV BUSHINGS  
 CNP03 = NP26 HV CONNECTION  
 CNP04 = NP96 HV WDG  
 CNP05 = NP47 FUSES  
 CNPKV = DY POS. KV.

CNP09 = NP111 TAP OR SM BOX  
 CNP08 = NP24 LV PHASOR  
 CNP10 = NP7 HV PHASOR  
 CNP14 = NEUT PHASOR (VECTOR)  
 CNP13 = NEUT WDG (COIL)  
 CNP06 = LV CONNECTION  
 CNP07 = NP88 LV WDG  
 CNP11 = NP70 LV BUSHINGS  
 CPR11 = 1  
 CPR1E = 0  
 CPR1F = 0  
 CPR1ZA = 0  
 CPHASH = DEL CPHASL = WYE

BLACK ANNOIDIZED ALUMINUM

REV	DATE	REVISION	BY	APP



SUNBELT TRANSFORMER  
 TEMPLE, TEXAS

NAME: LASER NAME PLATE CC 857

DESCR: RF/TP/2FUSE/2PLB/ D-Y

ID 3BMWAY36 P.N. 0061830015.327

SCALE 1.000 DWG BY LB CHK BY DATE 01/28/96