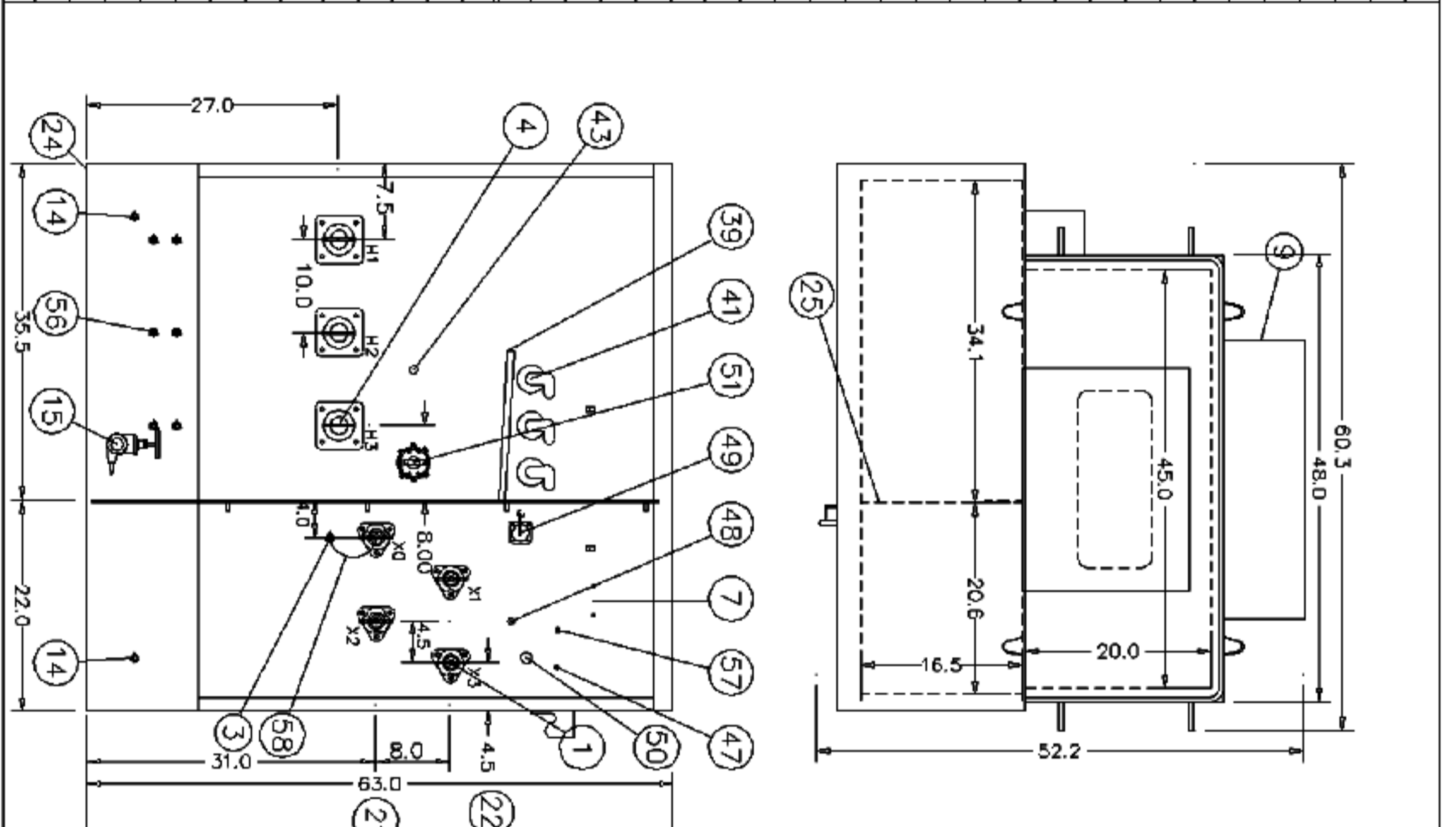

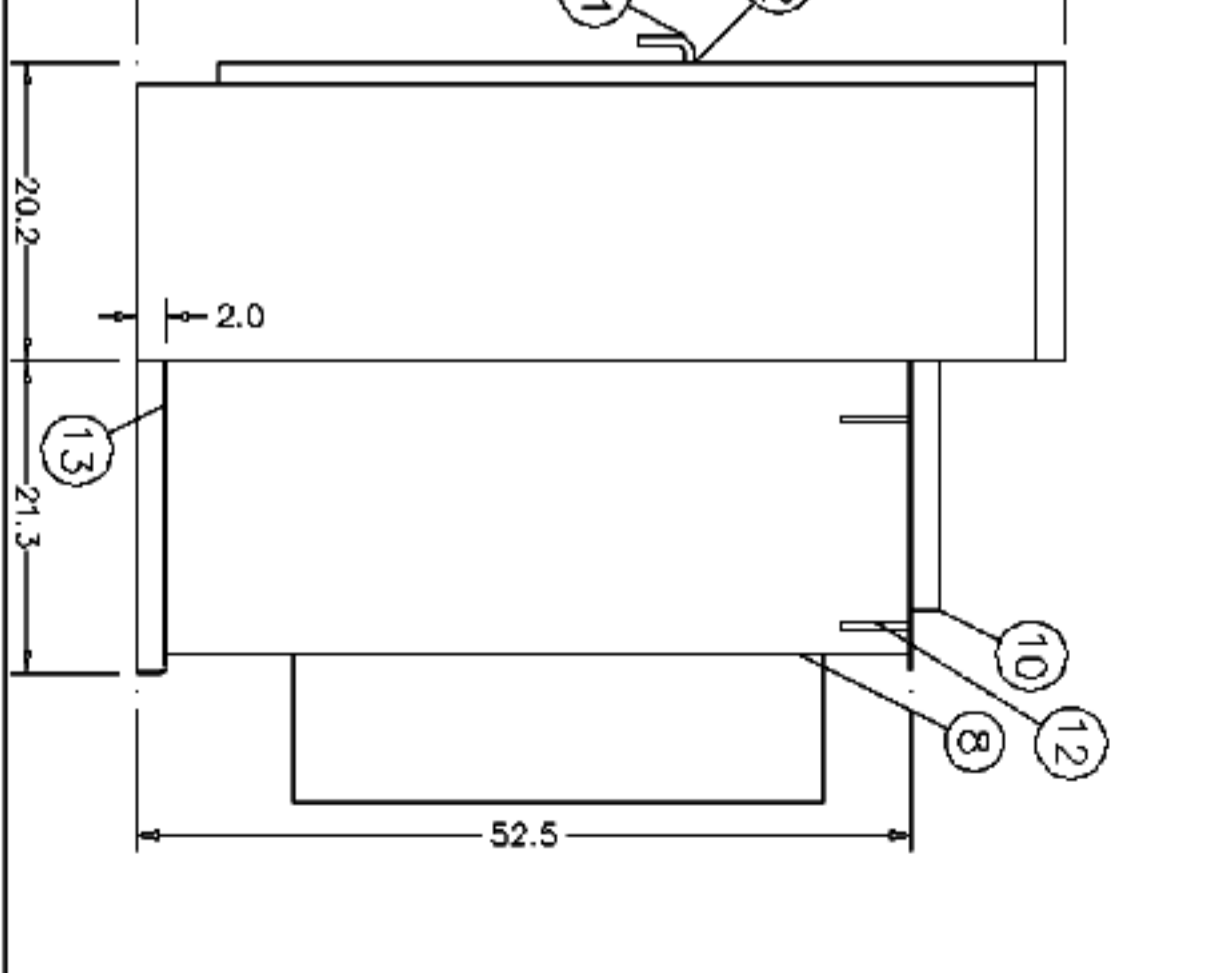


DESCRIPTION	
1	LV BUSH. & 4 HOLE SPADE
3	1/2-13 GROUND PAD
4	HV BUSH 2 HOLE SPADE
7	NP ON DOOR SER ON TANK
8	TANK
9	COOLING RADIATORS
10	HANDHOLE & SECURITY COVER
12	LIFTING LUGS
13	JACKING PROVISIONS
14	1/2-13 GROUND PAD
15	1 IN DRAIN VALVE AND SAMPLER
21	PAD LOCKABLE DOOR HANDLE
22	3 PT LATCH PENTA SEC BOLT
24	12 IN REMOVABLE SILL
25	METAL LV-HV BARRIER
39	DRIP SHIELD
41	BAYONET FUSE HOLDER
43	LOADBREAK SWITCH
47	PRESS. REL VALVE
48	DIAL THERM W/MAX POINTER
49	2" MAG LL GAUGE: LV COMP
50	OIL LEVEL PLUG
51	TAP CHANGER HANDLE
56	PROVISIONS FOR LTO ARR
57	PROVISION FOR PRES VAC GAUGE
58	REMOVABLE GROUND STRAP
SPECIAL NOTES	
A	BAY-0-NET FUSE
	RTE4000358C14
B	ISOLATION LINK FUSE
	HI A07
C	
D	
E	
CAT NO 9375435167052	
DWG BY: LB DATE: 01/28/96	
APP BY: CC. 745	



DWG NO.	0073475029.200		
 SUNBELT TRANSFORMER TEMPLE, TEXAS			
CUSTOMER :			
SPEC.	DATED		
KVA	225.0BIL 60 TAPS TS-2 ABOVE 2 BELOW		
HIGH VOLTAGE	4160		
LOW VOLTAGE	480Y/277		
APPROX. CORE AND COIL WEIGHT	967		
APPROX. TANK AND ACCESS. WEIGHT	1014		
GAL. OF OIL 164 ; APPROX. WEIGHT	1231		
APPROX. TOTAL WEIGHT	3212		
REV.	DATE	DESCRIPTION	BY
A			APP
ID	3BMWAY15	P.N. 0073475029.200	

10 GA. MILD STEEL TANK



O.054

93752D01S,CB, 31, 1,H01 . 1, 2, CM

504520,635769,0, 599,2, 3300

59041978,010