

NO. 61830016.609

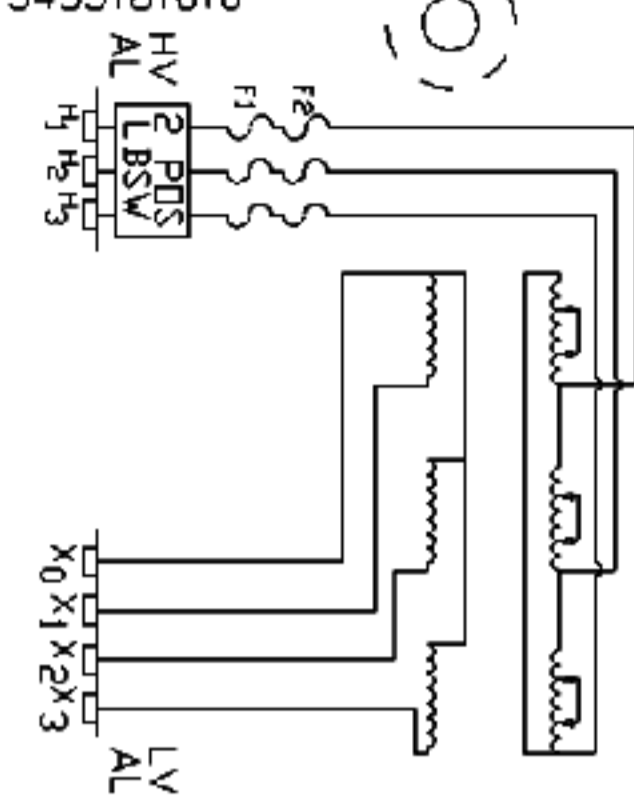
THREE PHASE TRANSFORMER



SUNBELT TRANSFORMER
TEMPLE, TEXAS

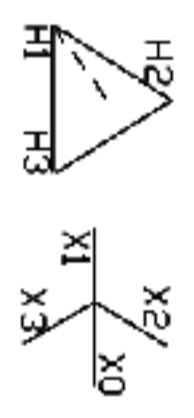
KVA 225
HV 4160
LB WT TANK 1427 c&c 874
OIL 1523 LBS TOTAL 3824 LBS
CONT 65 °C RISE CLASS 0A 60HZ
TANK DESIGNED FOR +7 PSIG
F1 ISOLATION LINK
F2 BAYONET FUSE
NON PCB

9375435181016



VOLTAGE PDS AMPS

4368	1/A	29.74
4264	2/B	30.47
4160	3/C	31.23
4056	4/D	32.03
3952	5/E	32.87



- CNP02 = NP68 HV BUSHINGS
- CNP03 = NP26 HV CONNECTION
- CNP04 = NP96 HV WDG
- CNP05 = NP47 FUSES
- CNPKV = DY POS. KV.

- CNP09 = NP115 TAP OR SM BDX
- CNP08 = NP24 LV PHASOR
- CNP10 = NP7 HV PHASOR
- CNP14 = NEUT PHASOR (VECTOR)
- CNP13 = NEUT WDG (COIL)
- CNP06 = LV CONNECTION
- CNP07 = NP88 LV WDG
- CNP11 = NP70 LV BUSHINGS
- CPRI1 = 1
- CPRIE = 0
- CPRI1F = 0
- CPRI2A = 0
- CPHASH = DEL CPHASL = WYE

BLACK ANNOIDIZED ALUMINUM

REV	DATE	REVISION	BY	APP

SUNBELT TRANSFORMER
 TEMPLE, TEXAS

NAME: LASER NAME PLATE CC 857
 DESCR: RF/TP/2FUSE/2PLB/ D-Y
 ID 3RLHCJ36 P.N. 0061830016.609
 SCALE 1.000 DWG BY RH CHK BY DATE 08/18/96