


NO. 61830014.121

THREE PHASE TRANSFORMER



SUNBELT TRANSFORMER

TEMPLE, TEXAS

BIL HV 95 LV 30kV  %IMP

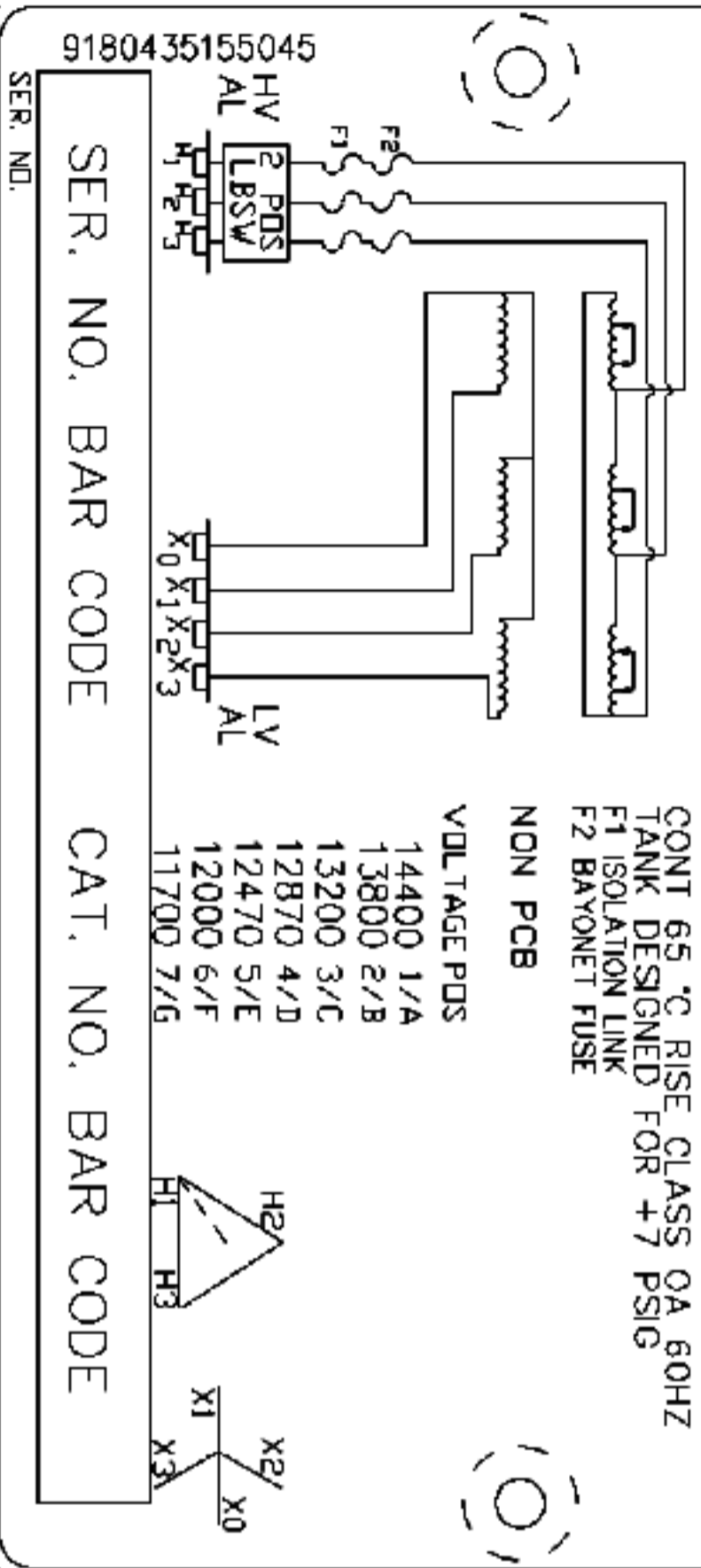
KVA 300
 HV 14400
 WT TANK 1162 c&c 1152
 LV 480Y/277
 OIL 1403 LBS TOTAL 3717 LBS
 187 GAL

CONT 65 °C RISE CLASS OA 60HZ
 TANK DESIGNED FOR +7 PSIG
 F1 ISOLATION LINK
 F2 BAYONET FUSE

NON PCB

VOLTAGE PDS

- 14400 1/A
- 13800 2/B
- 13200 3/C
- 12870 4/D
- 12470 5/E
- 12000 6/F
- 11700 7/G



SER. NO. BAR CODE CAT. NO. BAR CODE

SER. NO.

1

- CNP02 = NP68 HV BUSHINGS
- CNP03 = NP26 HV CONNECTION
- CNP04 = NP96 HV WDG
- CNP05 = NP47 FUSES
- CNPKV = DY POS. KV.

- CNP09 = NP118 TAP OR SM BOX
- CNP08 = NP24 LV PHASOR
- CNP10 = NP7 HV PHASOR
- CNP14 = NEUT PHASOR (VECTOR)
- CNP13 = NEUT WDG (COIL)
- CNP06 = LV CONNECTION
- CNP07 = NP88 LV WDG
- CNP11 = NP70 LV BUSHINGS
- CPR11 = 2
- CPR1E = 0
- CPR1F = 0
- CPR1ZA = 0
- CPHASH = DEL CPHASL = WYE

BLACK ANNOIDIZED ALUMINUM

REV	DATE	REVISION	BY	APP



SUNBELT TRANSFORMER
 TEMPLE, TEXAS

NAME: LASER NAME PLATE CC 857
 DESCR: RF/TP/2FUSE/2PLB/ D-Y
 ID 3RLHCJ36 P.N. 0061830014.121
 SCALE 1.000 DWG BY RH CHK BY DATE 08/23/95