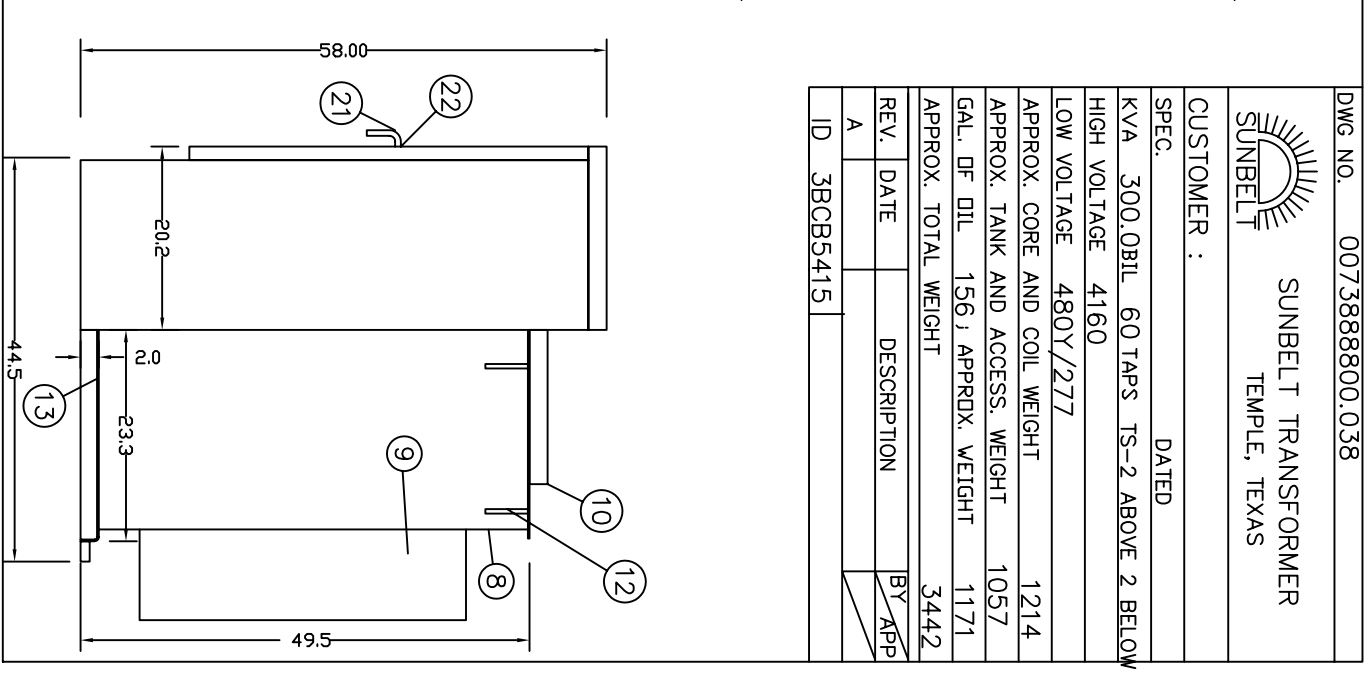
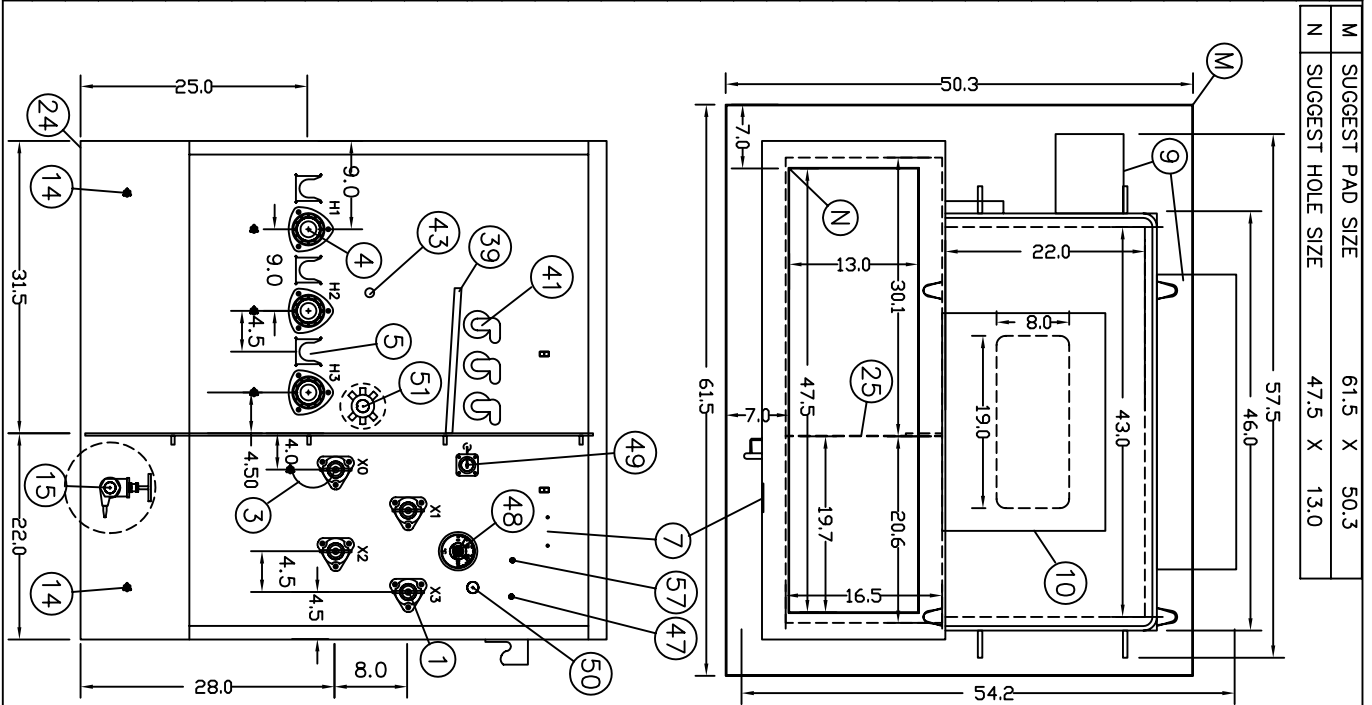



DESCRIPTION	M	SUGGEST PAD SIZE	61.5 X 50.3
1 LV BUSH. & 4 HOLE SPADE	N	SUGGEST HOLE SIZE	47.5 X 13.0
3 1/2-13 GROUND PAD W/ REM. GRD STRAPS			
4 HV. BUSHING WELL			
5 LOAD BREAK PKG STAND			
7 NP ON DOOR SER ON TANK			
8 TANK			
9 COOLING RADIATORS			
10 HANDHOLE & SECURITY COVER			
12 LIFTING LUGS			
13 JACKING PROVISIONS			
14 1/2-13 GROUND PAD			
15 1 IN DRAIN VALVE AND SAMPLER			
21 PAD LOCKABLE DOOR HANDLE			
22 3 PT LATCH PENTA SEC BOLT			
24 12 IN REMOVABLE SILL			
25 METAL LV-HV BARRIER			
39 DRIP SHIELD			
41 BAYONET FUSE HOLDER			
43 LOADBREAK SWITCH			
47 PRESS. REL VALVE			
48 DIAL THERM W/MAX POINTER			
49 2" MAG LL GAUGE: LV COMP			
50 OIL LEVEL PLUG			
51 TAP CHANGER HANDLE			
57 PROVISION FOR PRES VAC GAUGE			
SPECIAL NOTES			
A BAY-O-NET FUSE			
CPS 4000358C14 65 AMP			
B ISOLATION LINK FUSE HI A7			
C 10 GA. MILD STEEL TANK			
D			
E			
CAT NO 9180435369080			
DWG BY: TB DATE: 03/30/04			
APP BY: CC. 745			



DWG NO.	0073888800.038		
 SUNBELT TRANSFORMER TEMPLE, TEXAS			
CUSTOMER :			
SPEC.	DATED		
KVA	300.0BIL 60 TAPS TS-2 ABOVE 2 BELOW		
HIGH VOLTAGE	4160		
LOW VOLTAGE	480Y/277		
APPROX. CORE AND COIL WEIGHT	1214		
APPROX. TANK AND ACCESS. WEIGHT	1057		
GAL. OF OIL	156, APPROX. WEIGHT 1171		
APPROX. TOTAL WEIGHT	3442		
REV.	DATE	DESCRIPTION	BY
A			APP
ID	3BCB5415		

0.056 91802D01S,CB, 21,37,H01 , 1, 2, EJU 474322, 585369,1, 968,2, 3495 59078556,110

3BCB5415