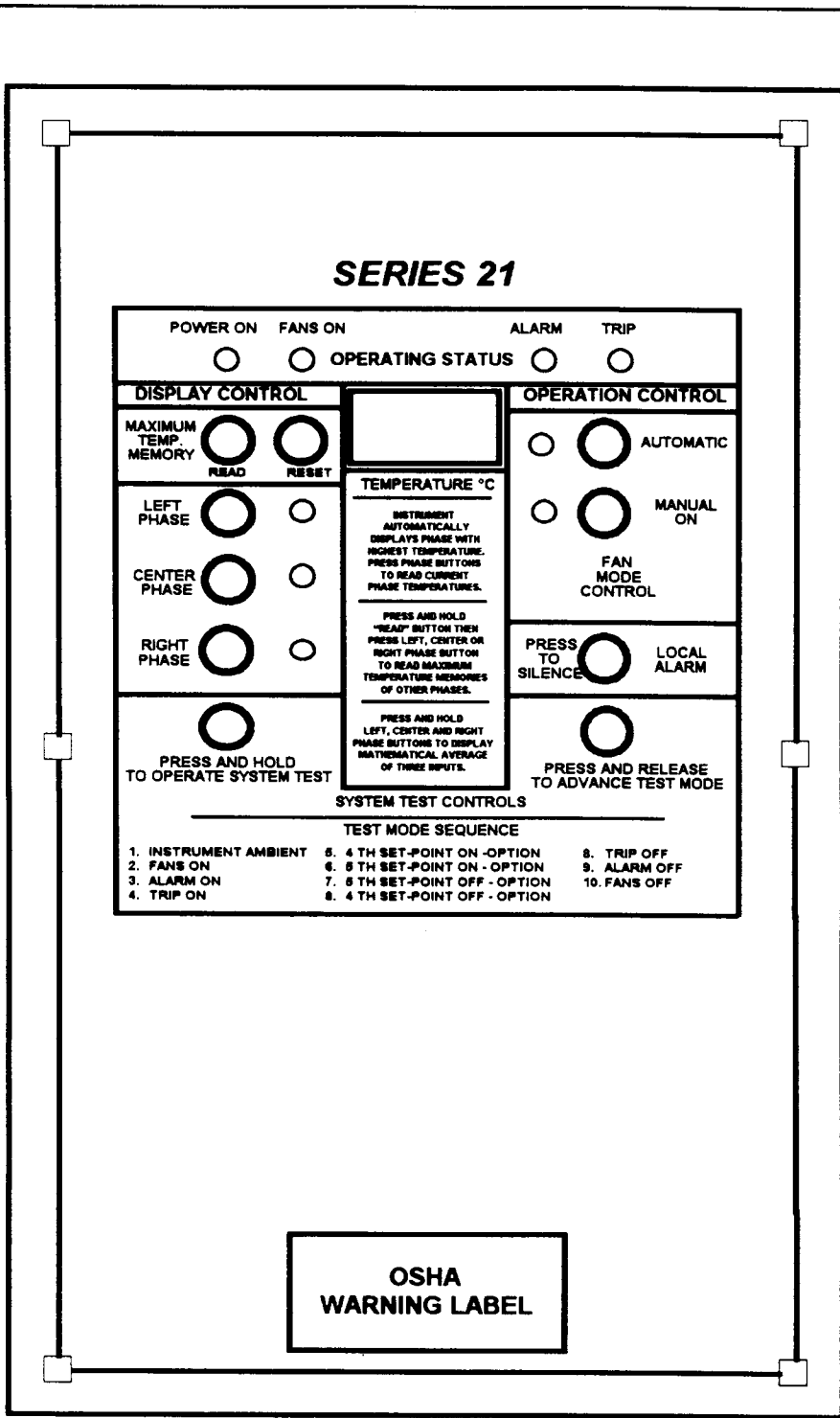


**FIELD CONNECTIONS  
FOR POWER INPUTS  
TO SERIES 21 INSTRUMENTS**

1. STANDARD CONNECTIONS FOR INPUT POWER TO SERIES 21 INSTRUMENTS MUST BE TERMINALS 11 AND 12.
2. CONNECTION VOLTAGE CAN BE 120 VAC OR 240 VAC AND CAN BE 50 OR 60 HERTZ.
3. THE POWER SUPPLY CONNECTED TO THE INSTRUMENT SHOULD BE DIFFERENT FROM THE TRANSFORMER MANAGED BY THE TRIP RELAY ON THE INSTRUMENT.
4. IF THE INSTRUCTIONS IN ITEM 3 (ABOVE) ARE NOT FOLLOWED, UNEXPECTED OR ABNORMAL TRIP OPERATIONS MAY OCCUR.
5. THIS WARNING APPLIES TO ALL DEVICES WITH TRIP RELAYS CONNECTED AS DESCRIBED IN ITEM 3 (ABOVE).
6. BE ESPECIALLY CAREFUL IF THE TRANSFORMER MONITORED BY THE SERIES 21 INSTRUMENT IS THE ONLY SOURCE OF POWER.

SERIES 21  
FIELD INSTALLATION  
POWER CONNECTIONS  
JAN. 7, 1998  
DRAWING 1-7-98-B

CIMCO ELECTRONICS, INC.  
26 MAIN ST.; P. O. BOX 248  
WEST MIDDLESEX, PA 16159  
PHONE 724-528-9559  
FAX 724-528-1108



REFERENCE NOTES

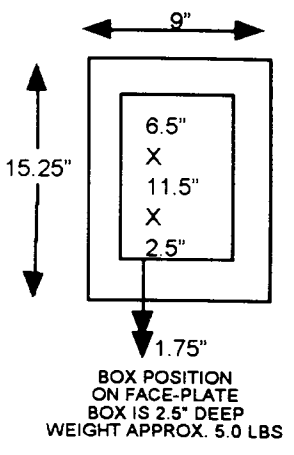
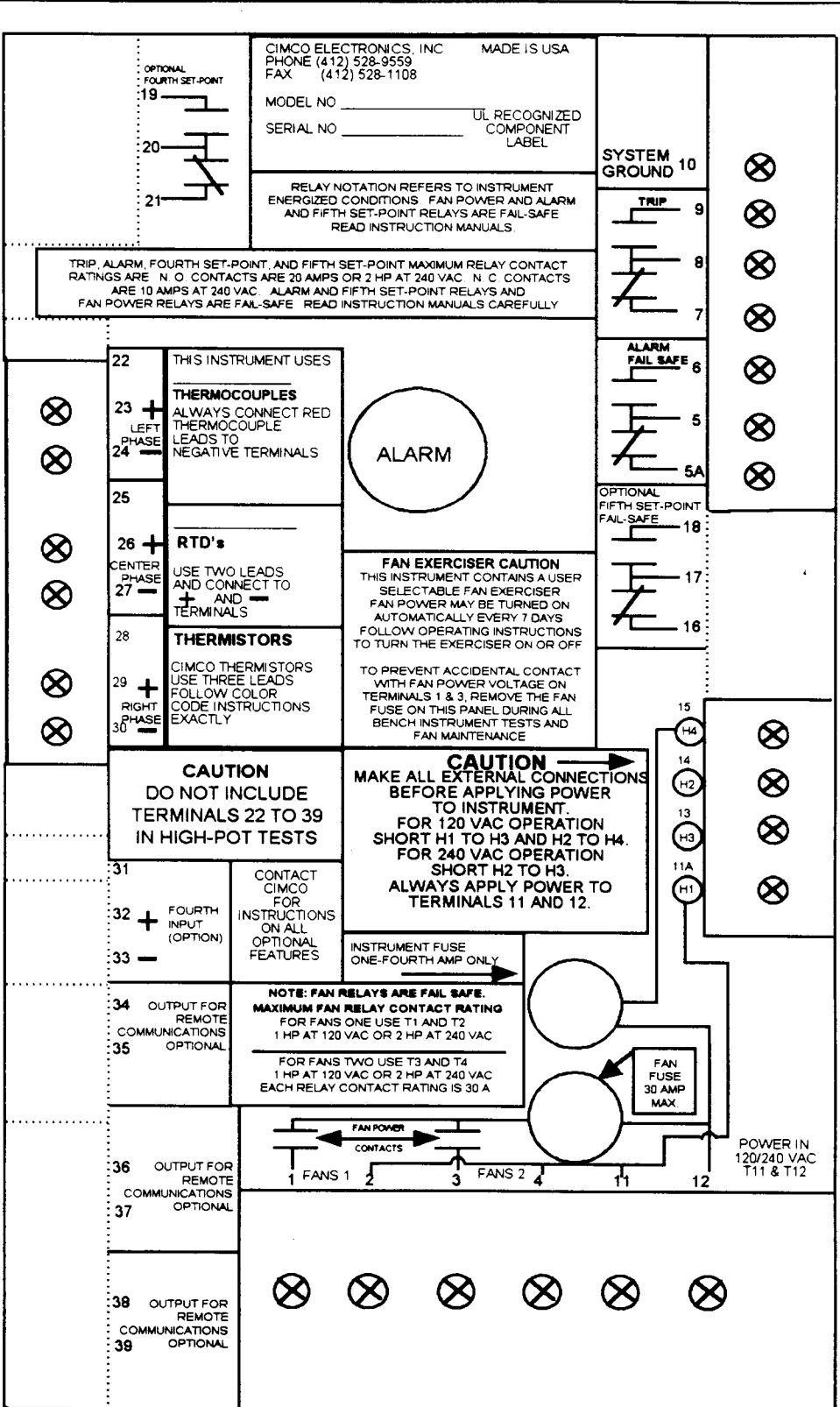
1. UL RECOGNIZED AND CROSS LISTED BY UL FOR CANADA (CSA)
2. OPERATING INSTRUCTIONS USE DRAWINGS 10-21-96, 10-21-96-A, 10-21-96-B, 10-21-96-C, 10-21-96-D
3. INSTALLATION AND CONNECTION INSTRUCTIONS ARE INCLUDED WITH EACH INSTRUMENT. USE DRAWING 2-26-97-A
4. CONTACT CIMCO FOR COMPLETE LITERATURE AND DETAILED DRAWINGS.
5. FACE-PLATE IS BLACK WITH WHITE LETTERS AND LINES. THIS DRAWING IS SHOWN WITH BLACK LINES ON WHITE FOR COPY CONVENIENCE.
6. OSHA LABEL IS INCLUDED IN THE OVERLAY AND IS OSHA STANDARD RED, BLACK AND WHITE.
7. REFERENCE DRAWING 2-26-97-A FOR MAGNETIC FIELD SHIELDING INSTRUCTIONS.

PANEL SIZE = 9" X 15.25"  
 MOUNTING HOLES ON 8" X 14.15 CENTERS  
 OVERLAY IS BLACK LEXAN WITH WHITE LETTERS AND TRIM LINES.  
 PANEL IS STEEL; PRIMED, BLACK 0.04" THICK

SUB 1, Area Code 5-21-98

MODEL A21  
 FACE-PLATE  
 FEB. 25, 1997  
 SCALE 1 = 2  
 DRAWING 2-25-97-A

CIMCO ELECTRONICS, INC.  
 26 MAIN ST. -- P. O. BOX 248  
 WEST MIDDLESEX, PA 16159  
 PHONE 724-528-9559  
 FAX 724-528-1108



- CAUTION**
- MODEL A21 INSTRUMENTS USE MICRO-PROCESSORS FOR SIGNAL PROCESSING AND LOGIC CONTROL
  - MODEL A21 INSTRUMENTS THEREFORE MUST BE SHIELDED FROM MAGNETIC FIELDS GENERATED BY TRANSFORMERS
  - MODEL A21 INSTRUMENTS ARE SHIPPED FROM CIMCO INSTALLED IN A HINGED CARBON STEEL CABINET WHICH IS ADEQUATE SHIELDING IN "STANDARD" POWER CENTER AND SUBSTATION INSTALLATIONS
  - CALL CIMCO FOR ADVICE ON NON-STANDARD INSTALLATIONS WITH ABNORMAL MAGNETIC OR ELECTRIC FIELDS
  - CALL CIMCO IF MODEL A21 IS NOT INSTALLED IN CIMCO'S BARRIER CABINET
  - ALWAYS CONNECT SYSTEM GROUND TO TERMINAL 10 AND THE BARRIER CABINET

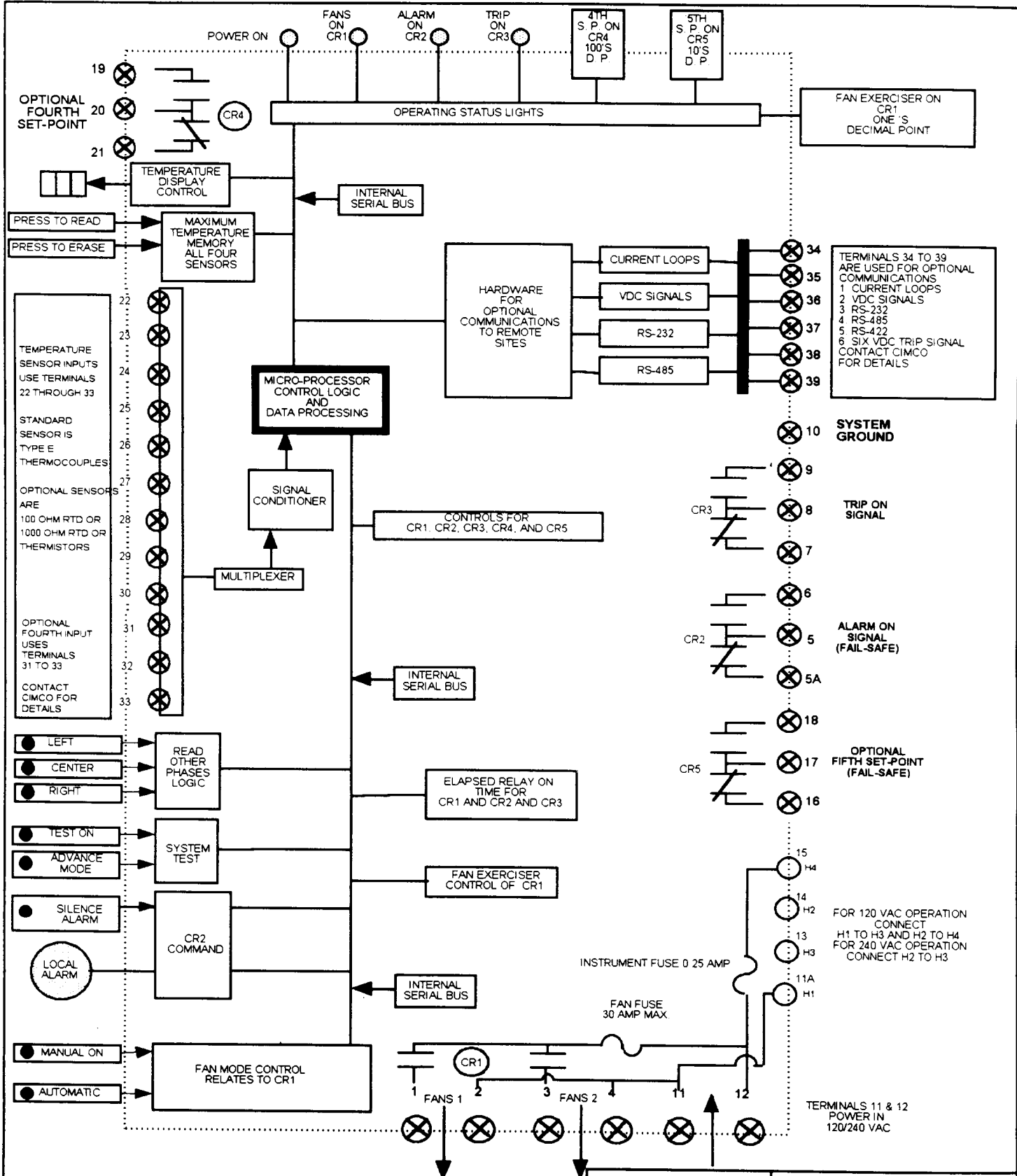
RTD's AND THERMISTORS ARE OPTIONAL TEMPERATURE SENSORS

BACK BOX SIZE  
 6.5" X 11.5" X 3"

SUB 2, Area Code 5-21-988  
 SUB 1, T-12 & USA NOTE: 5-5-97

CONNECTIONS  
 MODEL A21  
 FEB. 28, 1987  
 DRAWING 2-28-87-A  
 SCALE 0.75 = 1

CIMCO ELECTRONICS, INC.  
 28 MAIN ST.; POB BOX 248  
 WEST MIDDLESEX PA 16159  
 PHONE (724) 528-9559  
 FAX (724) 528-1108



RTD's AND THERMISTORS ARE OPTIONAL TEMPERATURE SENSORS

SUB 1, Area Code 5-21-988

CONTROL DIAGRAM  
MODEL A21  
MAY 21, 1997  
DRAWING 5-21-97-A

CIMCO ELECTRONICS, INC.  
28 MAIN ST., POB BOX 248  
WEST MIDDLESEX PA 16159  
PHONE (724) 528-8558  
FAX (724) 528-1108